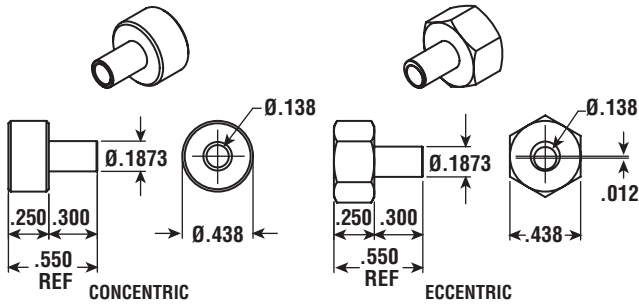


20 MM (3/4")

Rated for:
 Radial loads to 283 lbs. (1,260 N) per wheel
 Axial loads to 67 lbs. (297 N) per wheel

WHEEL BUSHINGS

VB1	Fixed Bushing
VBA1	Adjustable Bushing

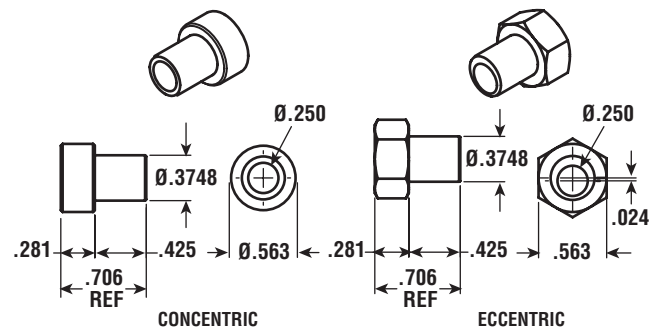


30 MM (1-1/4")

Rated for:
 Radial loads to 614 lbs. (2,730 N) per wheel
 Axial loads to 142 lbs. (632 N) per wheel

WHEEL BUSHINGS

VB2	Fixed Bushing
VBA2	Adjustable Bushing

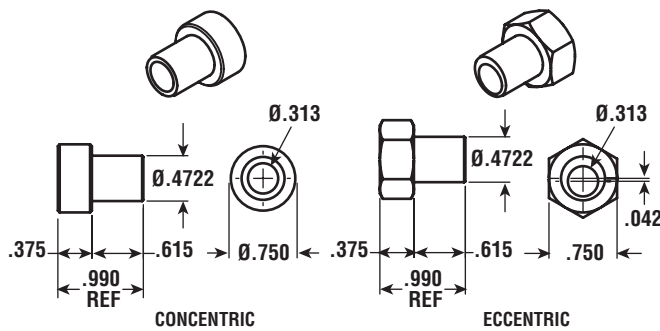


45 MM (1-3/4")

Rated for:
 Radial loads to 1,386 lbs. (6,166 N) per wheel
 Axial loads to 326 lbs. (1,448 N) per wheel

WHEEL BUSHINGS

VB3	Fixed Bushing
VBA3	Adjustable Bushing

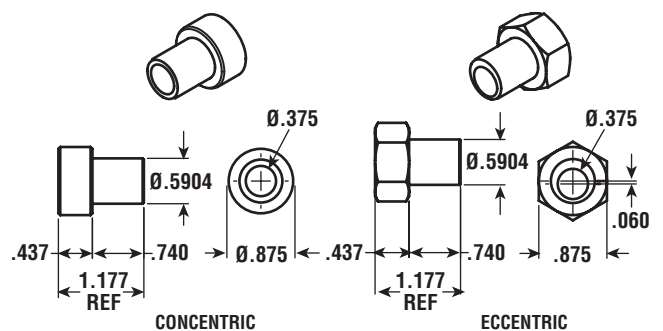


60 MM (2-1/4")

Rated for:
 Radial loads to 2,246 lbs. (9,991 N) per wheel
 Axial loads to 520 lbs. (2,313 N) per wheel

WHEEL BUSHINGS

VB4	Fixed Bushing
VBA4	Adjustable Bushing

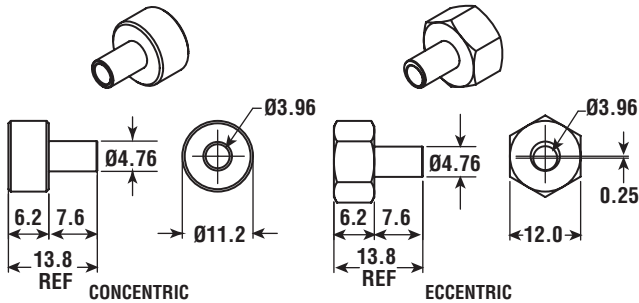


20 MM (3/4")

Rated for:
 Radial loads to 283 lbs. (1,260 N) per wheel
 Axial loads to 67 lbs. (297 N) per wheel

METRIC WHEEL BUSHINGS

MVB1	Metric Fixed Bushing
MVBA1	Metric Adjustable Bushing

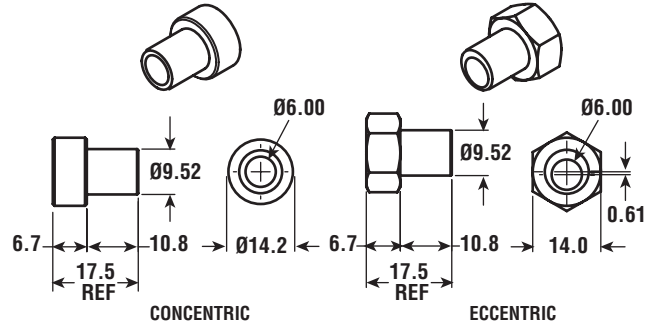


30 MM (1-1/4")

Rated for:
 Radial loads to 614 lbs. (2,730 N) per wheel
 Axial loads to 142 lbs. (632 N) per wheel

METRIC WHEEL BUSHINGS

MVB2	Metric Fixed Bushing
MVBA2	Metric Adjustable Bushing

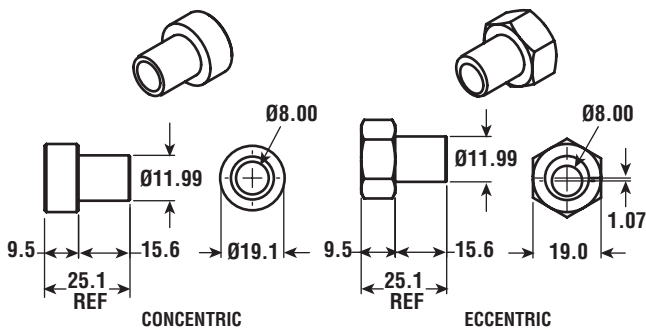


45 MM (1-3/4")

Rated for:
 Radial loads to 1,386 lbs. (6,166 N) per wheel
 Axial loads to 326 lbs. (1,448 N) per wheel

METRIC WHEEL BUSHINGS

MVB3	Metric Fixed Bushing
MVBA3	Metric Adjustable Bushing



60 MM (2-1/4")

Rated for:
 Radial loads to 2,246 lbs. (9,991 N) per wheel
 Axial loads to 520 lbs. (2,313 N) per wheel

METRIC WHEEL BUSHINGS

MVB4	Metric Fixed Bushing
MVBA4	Metric Adjustable Bushing

